



# Wisepac Powder Packaging Machine

## Specification

Production speed	40-120pcs/min
Packaging film width	200--400mm±1mm
Forming width	Min 17mm Max45mm±1mm
Input voltage	3-phase 380VAC
Total power	5 KW
Main motor power	2KW
Heating power	2000 KVA
Compressed air	≥6kg / c m <sup>2</sup> 800-1200L/min
Equipment net weight	2T
Overall dimensions	1.7 * 1.1 * 2.1 (M)



## Powder Packaging Machine

S/N	Accessories	Brand	Quantity
1	PLC	MITSUBISHI	1
2	orientation module		1
3	servo motor		1
4	servo drivers		1
5	temperature-controlled meter	OMRON	6
6	touch screen		1
7	frequency Converter		1
8	sensor	Keyence	1

## Product Introduction

Powder packaging can be quite challenging for a vertical packaging machine, especially when considering multi-column packaging is the most difficult process to achieve. Wisepac has combined high-end imported technology with over 18 years of experience in the packaging machine industry to develop an advanced, but user-friendly automated powder packaging machine.

Wisepac powder packaging machine can be combined with a self-developed desiccant, deodorant, and preservation materials, which are considered a new milestone in the packaging industry.

ABSORB WISELY,  
REST ASSURED

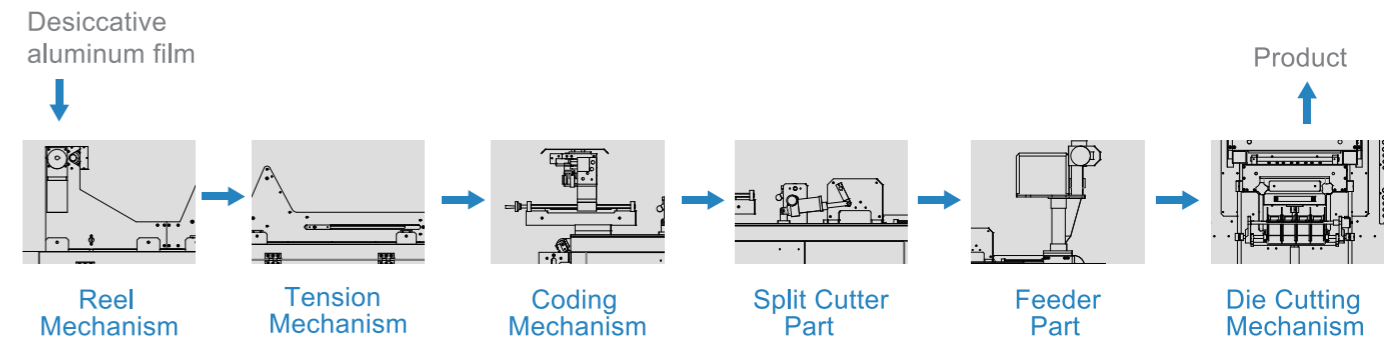


WISERBENT TECHNOLOGY LLC  
 ADD : 11 E Stow Rd, Marlton, NJ 08053  
 Tel : +1-800-272-5238  
 Email : info@wisesorbent.com  
 WEBSITE : www.wisesorbent.com



- Frame
- Reel Mechanism
- Tension Mechanism
- Coding Mechanism
- Integrated Forming Mechanism
- Feeder Screw
- Sealing Mechanism
- Thickness Testing Mechanism
- Cutting Mechanism
- Protective Cover Parts
- Electrical Parts

## Description Of the Principle

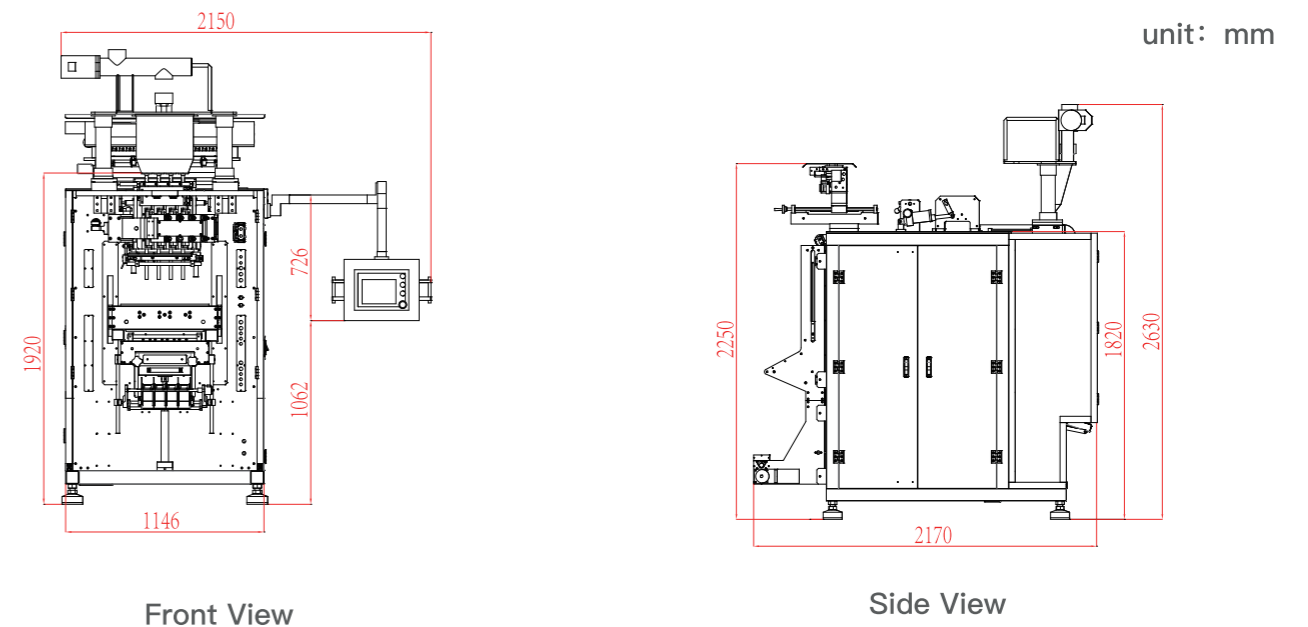


## Application

This machine can be used for powder packaging such as packing a precise object, such as small particles. The quality of the packing has been improved after changing the essential parts of this machine: Collar Type Bag Shaping ensures each packet formed in better shape. Also film delivers more stable and feeding process is much faster and stable than existing models in the market.



## Machine Size



## Characteristics:

- This machine adopts screw weighing feeder system, due to the feeding process is entirely closed, so it requires a particular screw feeding structure and technology, its total length is shorter than the average powder packaging line at the same time it can adapt to a variety of different materials requirements.
- To improve packaging quality and stability, we developed our unique multi-column round forming shoulders set, this unique forming technology makes products' packaging appearance much more outstanding.
- We adopt heterotypic punching and cutting technology to let consumers tear open each final product packet easily.